



FAG

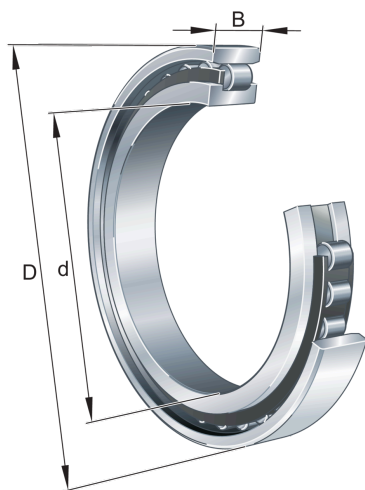
N205-E-XL-TVP2

Cylindrical roller bearing

Schaeffler ID:
0167337200000

Cylindrical roller bearing N2..-E-TVP, with cage, single row, non-locating bearing, 0 ribs on outer ring, 2 rib on inner ring, type N2

Technical information

**Main Dimensions & Performance Data**

d	25 mm	Bore diameter
D	52 mm	Outside diameter
B	15 mm	Width
C_r	34,500 N	Basic dynamic load rating, radial
C_{0r}	27,500 N	Basic static load rating, radial
C_{ur}	4,450 N	Fatigue load limit, radial
$n_{G\text{ Grease}}$	16,800 1/min	Limiting speed for grease lubrication
$n_{G\text{ Oil}}$	19,800 1/min	Limiting speed for oil lubrication
	0.131 kg	Weight

Dimensions

$r_{1\text{ min}}$	0.6 mm	Minimum chamfer dimension
s_1	1.3 mm	Axial displacement
E	46.5 mm	Raceway diameter outer ring

Mounting dimensions

$d_{a\text{ min}}$	29 mm	Minimum diameter shaft shoulder
$D_{a\text{ max}}$	46 mm	Maximum diameter of housing shoulder
$r_{a1\text{ max}}$	1 mm	Maximum recess radius

Temperature range

T_{min}	-30 °C	Operating temperature min.
T_{max}	120 °C	Operating temperature max.